

GM-CRTHL2 Compression Round "T" Handle Latch

Features

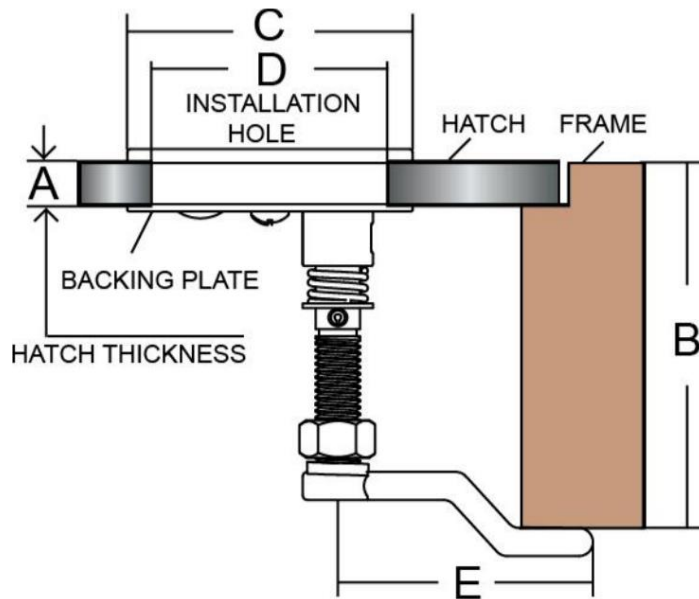
- Watertight
- Anti-rattle design incorporates spring loaded handle to ensure quiet operation, even underway
- When handle is pressed down, pawl lifts to compress hatch, ideal for gasket hatches
- Well suited for aluminum boats with watertight gasket under flange to isolate stainless steel from aluminium
- Detent handle design ensures fixed positioning after a 90° turn

Material

- Stainless steel 316

Parts Included

- Installation screws (size #8)
- 6 mm spacer



Part No.	Finish	A	B	C	D	E
GM-CRTHL2-A607551	Bright	3 ~ 11	25.5 ~ 78	61	51	54
GM-CRTHL2-A607553	Dull					